

# PRODUCT INFORMATION PACKET

Model No: 5KH35MN132

Catalog No: H197

General Purpose Farm Duty Motor, 0.17 HP, 1 Ph, 60 Hz, 115 V, 1200 RPM, 48 Frame, TENV



Regal and Marathon are trademarks of Regal Rexnord Corporation or one of its affiliated companies.

©2023 Regal Rexnord Corporation, All Rights Reserved. MC017097E

### Nameplate Specifications

Output HP	0.17 Hp	Output KW	0.13 kW
Frequency	60 Hz	Voltage	115 V
Current	3.7 A	Speed	1140 rpm
Service Factor	1	Phase	1
Efficiency	50 %	Power Factor	0
Duty	Continuous	Insulation Class	B
KVA Code	L	Frame	48
Enclosure	Totally Enclosed Non Ventiladed	Thermal Protection	No Protection
Ambient Temperature	40 °C	Drive End Bearing Size	6203
Opp Drive End Bearing Size	6203	UL	Recognized
CSA	Yes	CE	N
Number of Speeds	1		

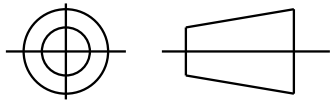
### Technical Specifications

Electrical Type	Split Phase	Starting Method	SM
Poles	6	Rotation	Counterclockwise/Clockwise
Mounting	Resilient Base	Motor Orientation	ANY
Drive End Bearing	BALL	Opp Drive End Bearing	BALL
Frame Material	Rolled Steel	Overall Length	9.57 in
Frame Length	5.79 in	Shaft Diameter	0.500 in
Shaft Extension	1.5 in		
Outline Drawing	52A101954P3	Connection Drawing	52A105377AA

This is an uncontrolled document once printed or downloaded and is subject to change without notice. Date Created:03/15/2023

SHEET 1  
 REV 10  
 SIZE 52A101954  
 DRAWING NO. A

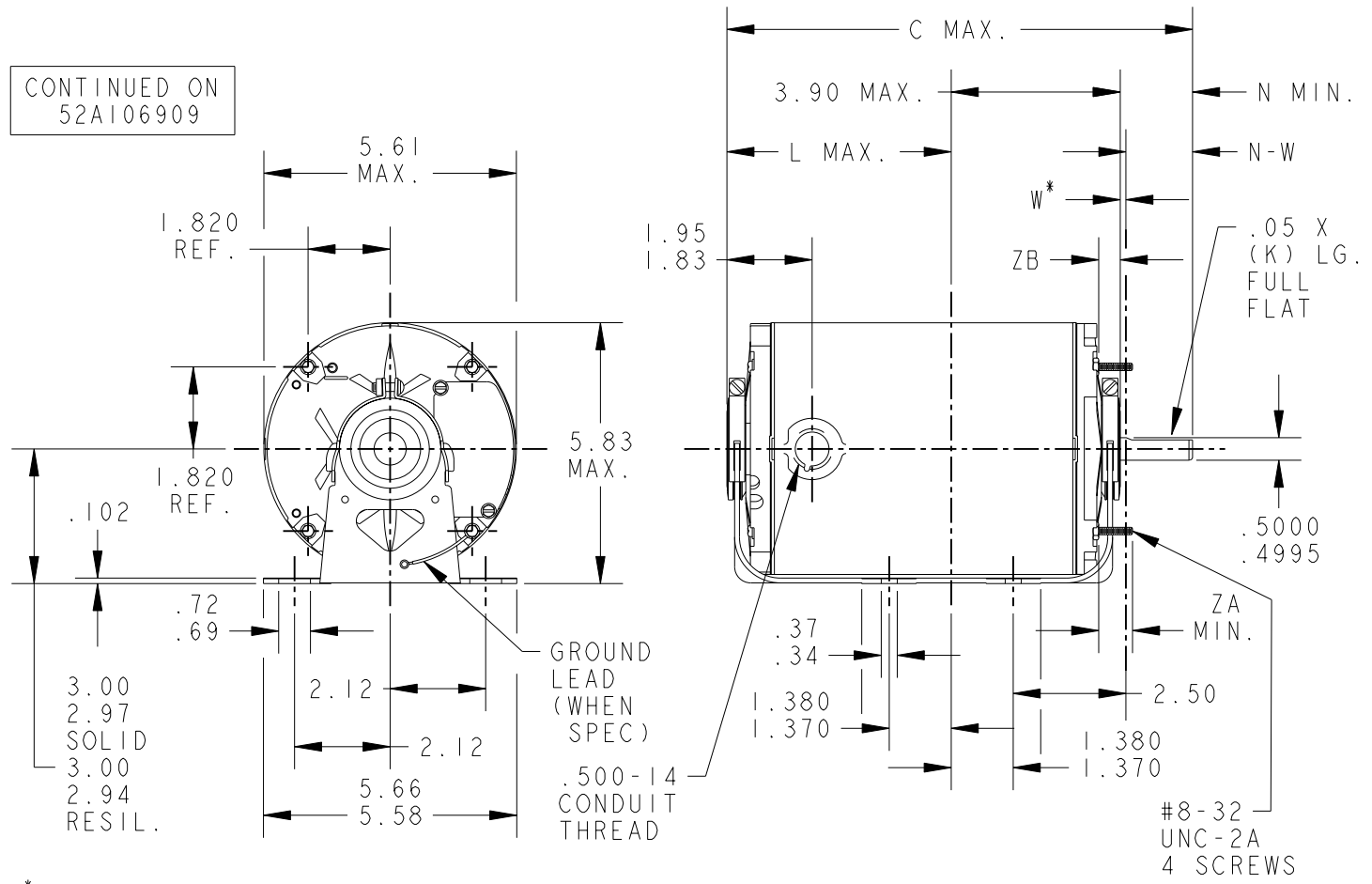
THIRD ANGLE PROJECTION



REVISIONS

REV.	DESCRIPTION	DATE	APPROVED
9	CHG TO RBC FORMAT AS PER IS05-1777	12/21/05	GOVARDAN
10	UPDATED PER IS07-0218	2/15/07	GOVARDAN


CONTINUED ON  
52A106909



W\* IS A CLEARANCE DUE TO VARIATION IN PARTS AND ASSEMBLY.

7	K	36	48Z	10.50	1.66	4.65	2.00	2.13/1.91	.55/.52	.62
6	KH	32	48	8.94	1.16	3.59	1.50	1.63/1.41	.55/.52	1.31
5	KH	37	48	10.40	1.16	5.05	1.50	1.63/1.41	.55/.52	.62
4	KH	36	48	10.00	1.16	4.65	1.50	1.63/1.41	.55/.52	.62
3	KH	35	48	9.57	1.16	4.22	1.50	1.63/1.41	.55/.52	.62
2	KH	33	48	9.19	1.16	3.84	1.50	1.63/1.41	.55/.52	.62
1	KH	32	48	8.94	1.16	3.59	1.50	1.63/1.41	.55/.52	.62
P	TYPE	RBC SIZE	NEMA FR	C	K	L	N	N-W	ZB	ZA

SIGNATURES		DATE
MODEL	F.P.K	10/18/76
DETAIL	.	.
CHECKED	.	.
ENGRG	.	.
MFG	.	.
QUALITY	.	.
ISSUED	MDP	05/24/96
SOLID MODEL: 52A101954		



**REGAL-BELOIT CORPORATION**

**TITLE**

**OUTLINE**

**FORM N - GENERAL PURPOSE MOTOR - TENV -**

**SOLID OR RESIL BASE - BALL OR SLEEVE BEARING**

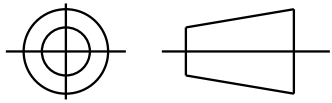
SIZE: DRAWING A

SCALE: 1.000 REF. No: . SHEET 1 of 1

FOR ADDITIONAL INFO REFER TO:  
 APPLIED PRACTICES  
 DIMENSIONS ARE IN INCHES ✓  
 MATERIAL

SHEET 1  
 REV 1  
 SIZE DRAWING NO. 52A105377AA  
 A

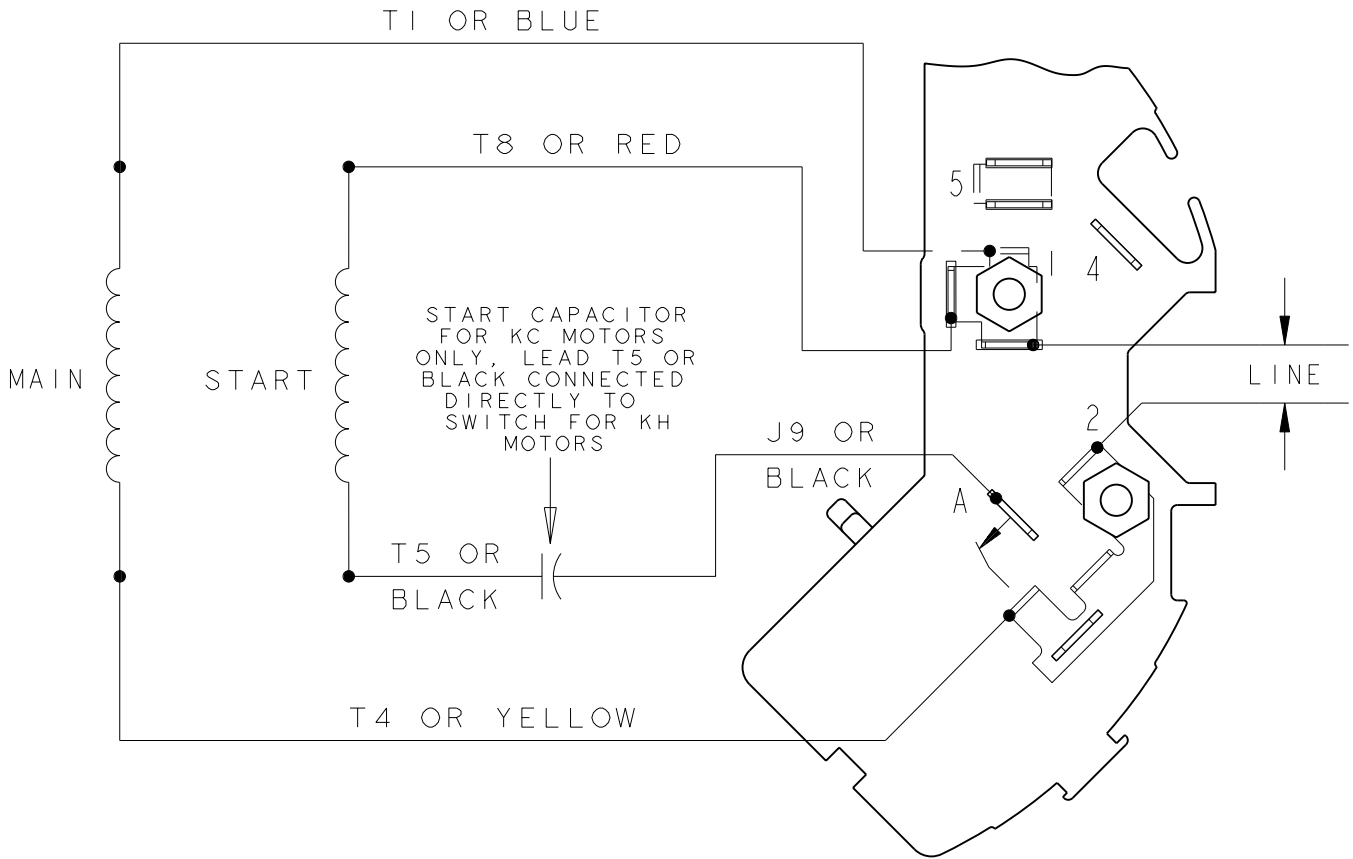
THIRD ANGLE PROJECTION



REVISIONS

REV.	DESCRIPTION	DATE	APPROVED
1	UPDATED FORMAT	11/10/05	MAM

EITHER ROTATION - SINGLE VOLTAGE  
TYPE KC, OR KH



NOTE #1 - TO REVERSE ROTATION INTERCHANGE BLACK (T5-KH OR J9-KC) AND RED (T8) LEADS.

NOTE #2 - WHEN MORE THAN ONE CAPACITOR IS USED CONNECT IN PARALLEL.

REF. DIAG. - 121A850		SWITCH (C) - 115D958AB	
CONNECTION LABEL - 52X332047			
SIGNATURES	DATE	<b>REGAL-BELOIT CORPORATION</b>  <b>CONNECTION DIAGRAM</b>  <b>FMF: 30 FRAME SWITCH REDESIGN</b>	
MODEL M.D. PAPE	06/29/87		
DETAIL	.		
CHECKED	.		
ENGRG	.		
MFG	.		
FOR ADDITIONAL INFO REFER TO:	QUALITY	SIZE DRAWING	REV
APPLIED PRACTICES	ISSUED M.D.P.	A	1
DIMENSIONS ARE IN INCHES ✓	06/29/87	<b>52A105377AA</b>	
MATERIAL	SOLID MODEL: 52A105377AA	SCALE: 1.000	SHEET 1 of 1